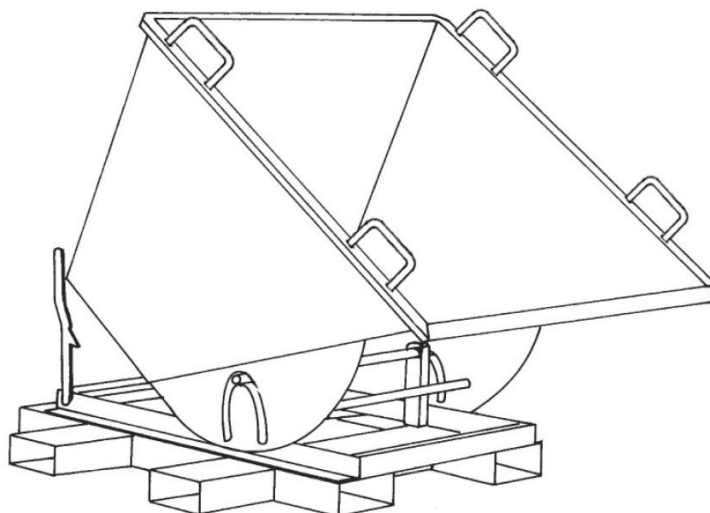


CA-111

Craneable Fork Lift Tipping Skip



Heavy duty design to meet rigorous site conditions. Four way entry, strong lever tipping mechanism complete with safety lock and chain. Manufactured with crane lifting eyes, and fork pockets.



Cap.	Length	Width	Height	Wt.
1200	1820	1400	1250	300

*Lifting & Handling Solutions for the Construction Industry
Designed & Manufactured in the UK*

Conquip Industrial, Waterbrook Estate, Waterbrook Road, Alton, Hampshire, GU34 2UD. United Kingdom
Telephone; +44 (0) 845 201 5030 **Fax;** +44 (0) 845 201 5031 **E-Mail;** sales@conquipindustrial.co.uk